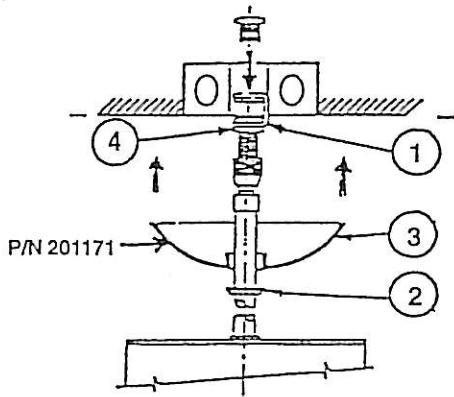


INSTALLATION INSTRUCTIONS FOR PENDANT MOUNTED CYLINDERS B616, B621, B716 and B721 Series

Power must be off during installation and maintenance.
Fixtures must be installed by a licensed electrician and in accordance with National Electric Code and any local codes that may apply.

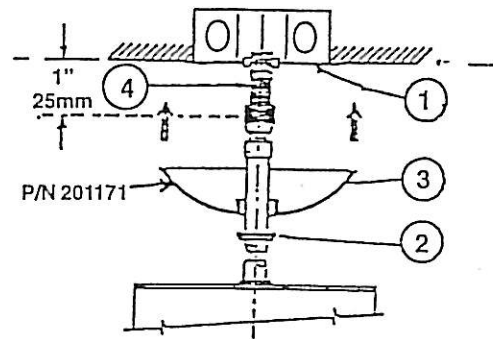
Junction Box is by others or manufacturer's option C43.
Use a standard 3½" or 4" box, either sheet metal or cast.
IN ALL CASES JUNCTION BOX MUST BE INSTALLED TO WITHSTAND A 50 POUND PULL.

STANDARD HANG-STRAIGHT SWIVEL (Swivels 6°)



Installation with Fixture Hickey:

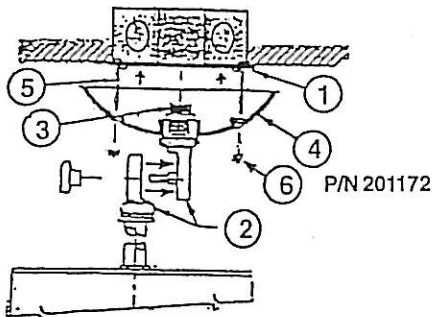
1. Install stem on housing with wire leads through the stem.
2. Install fixture hickey (1) on junction box. Secure with lock-nuts.
3. Unscrew knurled ring (2) on swivel and slide down stem.
4. Slide canopy (3) over stem.
5. Insert 2-1/2" by 3/8" IPS threaded nipple (4) in top of swivel.
6. Insert nipple into hickey and secure with lock-nuts top and bottom.
7. Connect power leads and ground.
8. Raise canopy and secure to ceiling with the knurled ring (2).
9. Install the lamp as listed on the label on the fixture.



Installation with Bridge:

1. Install stem on housing with wire leads through the stem.
2. Unscrew knurled ring (2) on swivel and slide down stem.
3. Slide canopy (3) over stem.
4. Insert 2-1/2" by 3/8" threaded nipple (4) in top of swivel.
5. Thread a locknut on the nipple to allow one inch of nipple from the locknut to the top of the swivel.
6. Slide the bridge (1) over the nipple and secure with a locknut. Tighten both locknuts so that the nipple cannot move.
7. Install the bridge (1) on the junction box with the #6 screws.
8. Connect power leads and ground.
9. Raise canopy and secure with the knurled nut (2).
10. Install lamp as listed on label in fixture.

OPTIONAL SV4 SWIVEL (Swivels 45°)



Installation

1. Install two 8-32 by 1-1/2" screws (5) in holes on 3-3/4" centers on bridge (1).
2. Install bridge (1) on junction box with two 8-32 screws so that the 1-1/2" screws are pointing down.
3. Attach stem assembly to fixture; separate the SV4 swivel (2) to facilitate feeding the wires through the swivel.
4. Reassemble the swivel and thread the 2-1/2" by 3/8" nipple (3) into upper half of the swivel. Place the canopy (4) over the nipple and secure with a locknut.
5. Hang fixture from bridge on junction box and connect power leads and ground.
6. Position canopy assembly over junction box and slide up over the two 1-1/2" screws (5). Secure the canopy firmly against the ceiling with the two 8-32 Acorn nuts (6).
7. Insert the lamp as listed on the label of the fixture.