

### FEATURES

- Frosted glass lens softly distributes lamp lumens. Held by heavy-wall cast aluminum frame with tamper-resistant stainless steel allenhead screws.
- Cast aluminum housing, incandescent or HID versions. Galvanized steel mounting plate on incandescent version. Cast back box lags to wall on HID. Rugged construction.
- Type V distribution from two or four pane units. Frosting reduces lamp image.
- Available in 50 and 70 watt metal halide and HPS, 75 watt max incandescent.
- Standard powder paint finishes are dark bronze, black, white and platinum.
- CSA certified to UL1598 for use in wet locations.



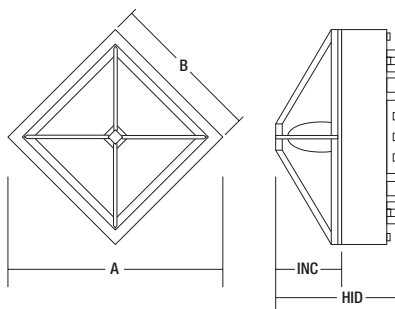
TRG20

DECORATIVE SURFACE MOUNT

### ORDERING INFORMATION

SERIES	WATTAGE/SOURCE	VOLTAGE <sup>1</sup>	FINISH	OPTIONS
<b>TRG20</b> 2 Pane	<b>50HPS</b> Medium Base	<b>120</b> 120V	<b>DB</b> Dark Bronze	<b>F</b> Fusing
<b>TRG40</b> 4 Pane	<b>70HPS</b> Medium Base	<b>277</b> 277V	<b>BLK</b> Black	<b>LP</b> Lamp included
	<b>50MH</b> Medium Base	<b>MT</b> Multi-Tap 120/208/240/277V	<b>WHT</b> White	
	<b>70MH</b> Medium Base	<b>347</b> 347V	<b>SAL</b> Platinum	
	<b>75INC</b> Medium Base		<b>CC</b> Custom	

<sup>1</sup> 50 Hz 220/240V available (consult factory).



	A	B	Depth
<b>INCAND.</b>	14"	9 <sup>15</sup> / <sub>16</sub> "	4 <sup>3</sup> / <sub>4</sub> "
	356 mm	252 mm	121 mm
<b>HID</b>	14"	9 <sup>15</sup> / <sub>16</sub> "	8 <sup>1</sup> / <sub>2</sub> "
	356 mm	252 mm	216 mm



TRG40