

Installation Instructions

Wall and Ceiling mounted Bulkheads

Important safety instructions pertaining to risk of fire, electric shock, and injury to persons and/or property. READ AND SAVE THESE INSTRUCTIONS.

Warnings:

- Read and follow all instructions, electrical data markers, and wiring labels before installation.
- Installation and maintenance* must be performed by a licensed electrician only.
- Install, operate, and maintain to meet all applicable codes.
- The installer is responsible for safe and secure mounting, suitable for the application.
- To reduce fire and shock hazards, disconnect power before installation or servicing.
- Use protective equipment to avoid injury when installing and servicing this product.
- Provide proper grounding for all system components.
- Use a sealant on all conduit and plug threads to ensure a water-tight seal.
- Failure to properly install this product will void manufacturer's warranty.

General Information:

- These instructions are not intended to be a comprehensive guide to all installation issues. For technical assistance and/or warranty support, contact the manufacturer at the phone number listed below.
- Refer to product labeling for minimum supply wire temperature, electrical data, and replacement lamp specifications.
- This luminaire has been provided with an aluminum spacer ring attached (See Fig. 1). That ring must be used when ceiling mounting, but may be removed for wall mounting if desired.

Installation Instructions: Note: While unpacking, carefully check for loose, missing, or damaged parts.

For Ceiling Mounting: Aluminum spacer ring must be used between ceiling and luminaire.

1. Loosen the set screw in the side of the housing, and remove the lens frame. See Fig. 1.
2. Remove the ballast cover. See Fig. 2.
3. Place gasket between luminaire and junction box (by others).
4. Make wiring connections in accordance with applicable codes. Supply voltage must match labeled ballast voltage.
5. Push wires into the junction box.
6. Mount luminaire over junction box using two 1/4" bolts (by others). See Fig. 3. Seal mounting bolts with silicone sealant.
7. Replace ballast cover and lens frame.
8. Securely tighten all hardware.

For Wall Mounting: Aluminum spacer ring may be removed for wall mounting only.

1. Loosen the set screw in the side of the housing, and remove the lens frame. See Fig. 1.
2. Remove the ballast cover. See Fig. 2.
3. Place gasket between luminaire and junction box (by others).
4. Make wiring connections in accordance with applicable codes. Supply voltage must match labeled ballast voltage.
5. Push wires into the junction box.
6. Ensure that the luminaire hinge is at the bottom, and the ballast is at the top when placing luminaire over junction box.
7. Mount luminaire using two 1/4" bolts (by others). See Fig. 4. Seal mounting bolts with silicone sealant.
8. Replace ballast cover and lens frame.
9. Securely tighten all hardware.
10. For outdoor applications, provide a weathertight seal between the luminaire housing and the mounting surface, using an approved U.V. stable silicone sealant.

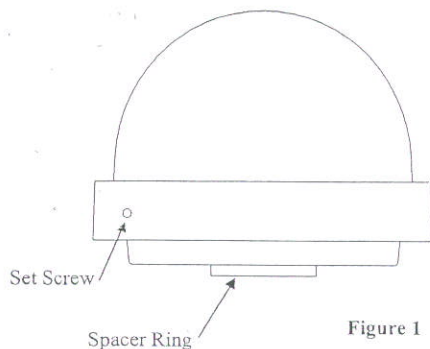


Figure 1

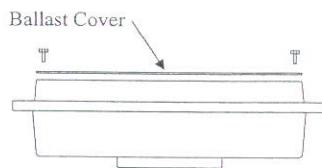


Figure 2

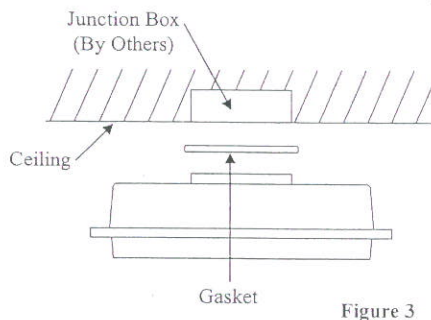


Figure 3

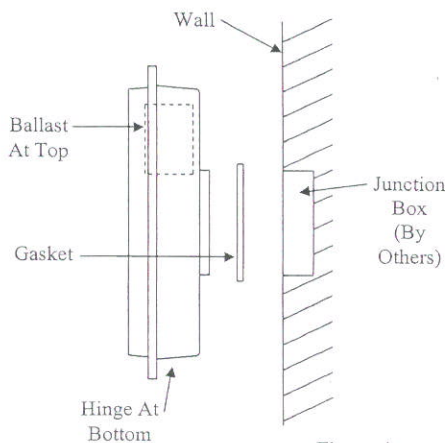


Figure 4

NOTE: Quality and product improvement is our continuous aim. Data in this bulletin is subject to change without notice. Hubbell Lighting is not responsible for any field modifications or alterations to this product.



© Hubbell Lighting, Inc.
A Subsidiary of Hubbell Incorporated
2000 Electric Way
Christiansburg, VA 24073-2500
Ph: (540)-394-2100
Fax: (540)-382-1526

268-1298-9901

Rev. 2

ORIGINAL DRAWING