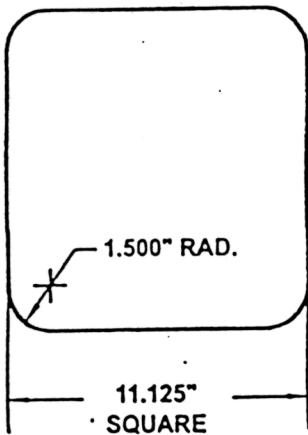
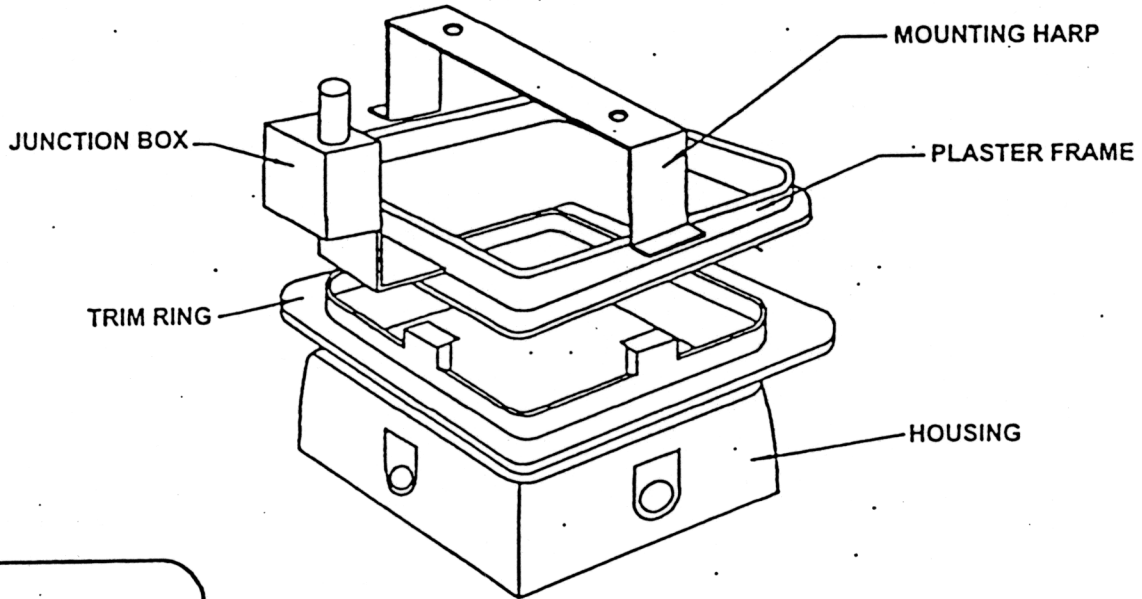
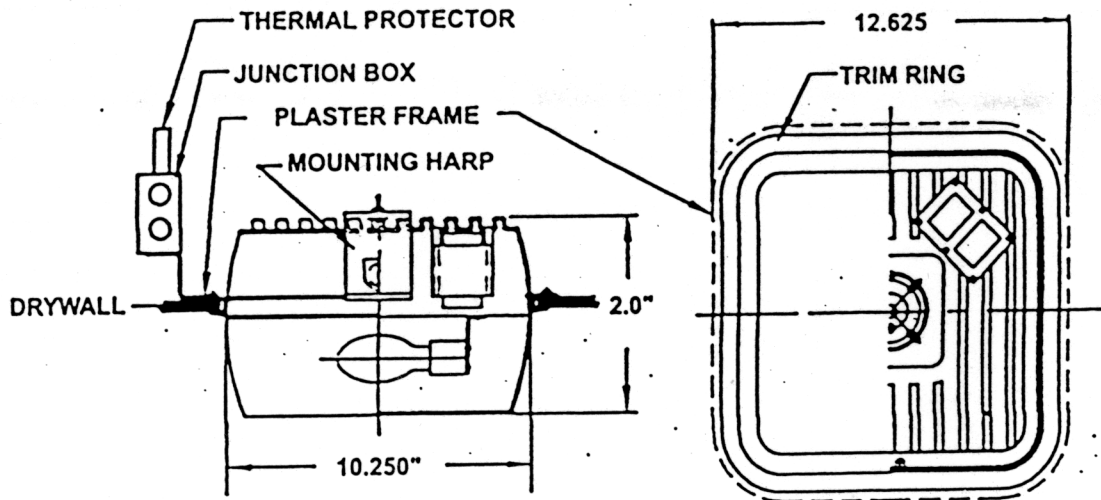


INSTALLATION INSTRUCTIONS - RECESSED DRYWALL DLS, GF040, GF080



OPENING IN WALL OR CEILING IS TO HAVE 8" MINIMUM
CLEARANCE BEHIND FIXTURE; REQUIRED FOR INSTALLATION.