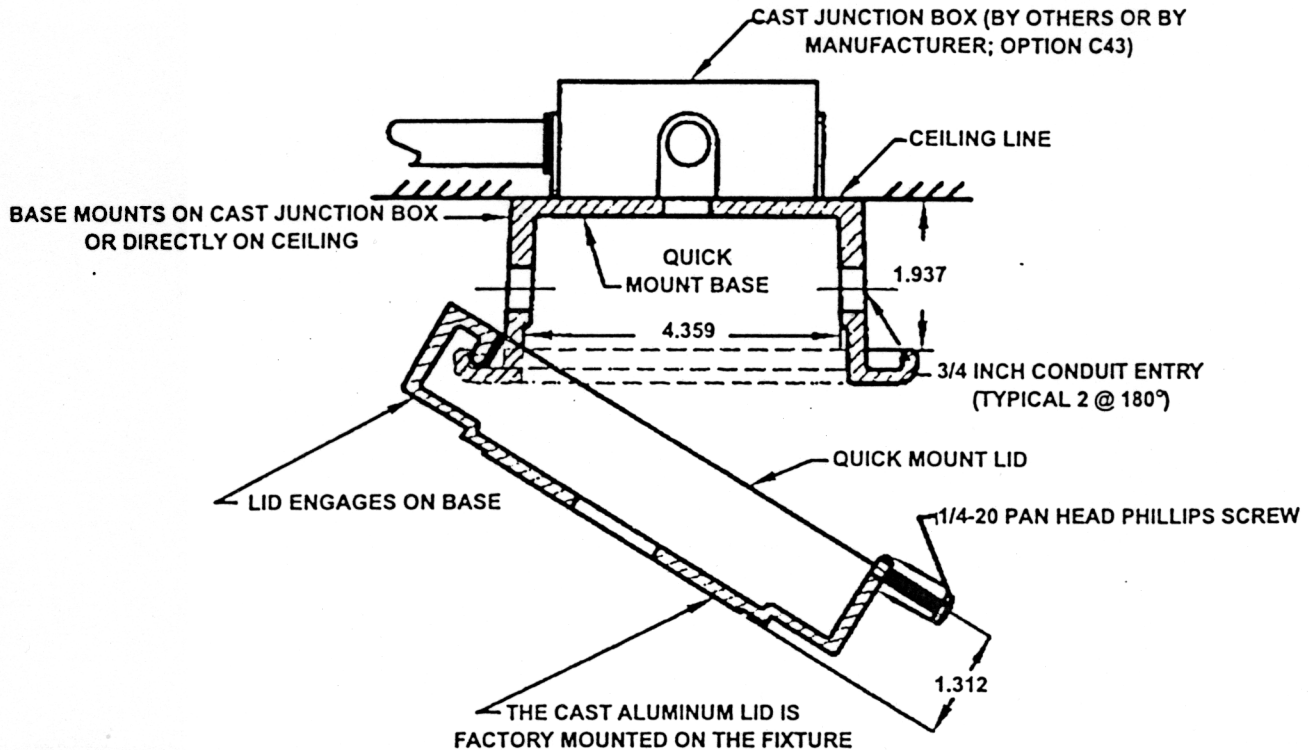


INSTALLATION INSTRUCTIONS

QUICK MOUNT - QM

BCC1,

DLS , GFO40, GFO80



1. Installation must be made by a licensed electrician only.
2. Power must be off during installation.
3. Attach the cast aluminum base either to 4.000 inch or 4.500 inch cast junction box or directly to the ceiling for conduit service. This box must be installed to withstand a minimum of 150 pounds of pull-out force. Wire leads must be pulled into the base prior to securing.
4. Lift fixture up and secure the hook on the cast lid over the rim of the base.
5. Check to insure that the supply voltage matches the voltage rating of the fixture - as indicated in the catalog number and the fixture label.
6. Connect the power leads to the fixture leads - black on-line to the black on the fixture, white to white, ground to ground.
NOTE: This fixture must be grounded!
7. Orient the fixture so that the light pattern is aligned correctly; then swing the fixture up so that the 1/4-20 pan head phillips screw (supplied) engages over the top rim on the base.
8. Open the lens and install the lamp as designated on the fixture label. Use of alternate lamps will damage the ballast and/or the lamp. Reclose lens before restoring ~~power~~ power.
9. Restore the power. H.I.D. fixtures will take approximately 15-20 minutes to arrive at full brilliance.